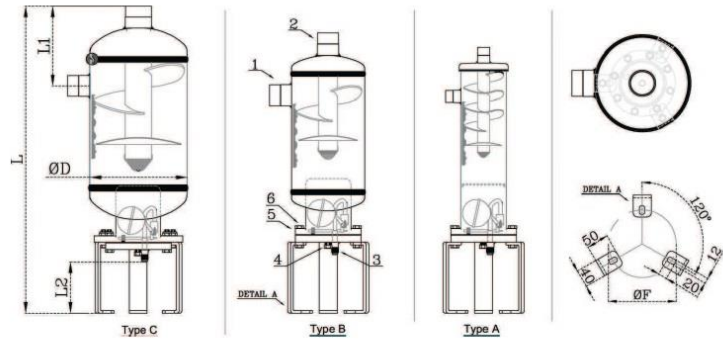


HELICAL OIL SEPARATORS & FLANGE

- 1 - Inlet Connection
- 2 - Outlet Connection
- 3 - Oil Return Connection (3/8" SAE)
- 4 - Service Unyon (Flug)
- 5 - Flange System
- 6 - Screw (M10)



Model	Dimensions								Type	Connections Inlet & Outlet	CE PED 97/23/EC 33 Bar
	D mm	L mm	L1 mm	L2 mm	Flange mm	F mm	Screw	Mounting Details			
OS/HF-178	Ø 102	580	110	114,5	Ø 150*150	Ø 105	8 Pcs.x M10	3 x Ø20*12mm Slots	A	7/8 ODS	CAT I
OS/HF-1118	Ø 102	630	110	114,5	Ø 150*150	Ø 105	8 Pcs. x M10		A	1 1/8 ODS	CAT I
OS/HF-2138	Ø 165	554,5	120	114,5	Ø 150*150	Ø 105	8 Pcs. x M10		B	1 3/8 ODS	CAT I
OS/HF-2158	Ø 165	612,5	140	114,5	Ø 150*150	Ø 105	8 Pcs.x M10		B	1 5/8 ODS	CAT I
OS/HF-2218	Ø 165	617,5	145	114,5	Ø 150*150	Ø 105	8 Pcs. x M10		B	2 1/8 ODS	CAT I
OS/HF-3158	Ø 219	691	180	115,5	Ø 200*150	Ø 152	11 Pcs.x M10		C	1 5/8 ODS	CAT III
OS/HF-3218	Ø 219	696	185	115,5	Ø 200*150	Ø 152	11 Pcs.x M10		C	2 1/8 ODS	CAT III
OS/HF-4258	Ø 273	786	235	115,5	Ø 200*150	Ø 152	11 Pcs.x M10		C	2 5/8 ODS	CAT III
OS/HF-5318	Ø 324	871	280	115,5	Ø 200*150	Ø 152	11 Pcs.x M10		C	3 1/8 ODS	CAT IV

TECHNICAL DATA

Working Pressure (PS)	: 33 Bar
Test Pressure (PT)	: 48 Bar
Allowable Temperature (TS)	: Min. -10°C /Max.-130°C
Color (RAL)	: 5009
General Tolerans (mm)	: ±5

Model	Capacity in kW refrigeration at nominal evaporator temperature						Max. Discharge volume (m37hr)
	R404A/507		R404A/507		R404A/507		
	-40°C	5°C	-40°C	5°C	-40°C	5°C	
OS/HF-178	23,0	30,0	24,6	28,2	N/A	N/A	10,2
OS/HF-1118	29,8	38,7	31,7	37,0	N/A	N/A	13,6
OS/HF-2138	42,2	52,8	44,8	49,3	59,8	63,3	18,7
OS/HF-2158	52,8	66,9	56,3	63,4	77,4	80,9	23,8
OS/HF-2218	84,4	109,0	88,0	106,0	120,0	127,0	37,4
OS/HF-3158	109,0	144,0	123,0	137,0	N/A	N/A	49,3
OS/HF-3218	109,0	144,0	123,0	137,0	N/A	N/A	49,3
OS/HF-4258	225,0	292,0	250,0	281,0	N/A	N/A	102,0
OS/HF-5318	352,0	461,0	394,0	447,0	N/A	N/A	159,8

* Form of using within the system and internal design are clearly shown in table on the side.

