

HORIZONTAL LIQUID RECEIVERS



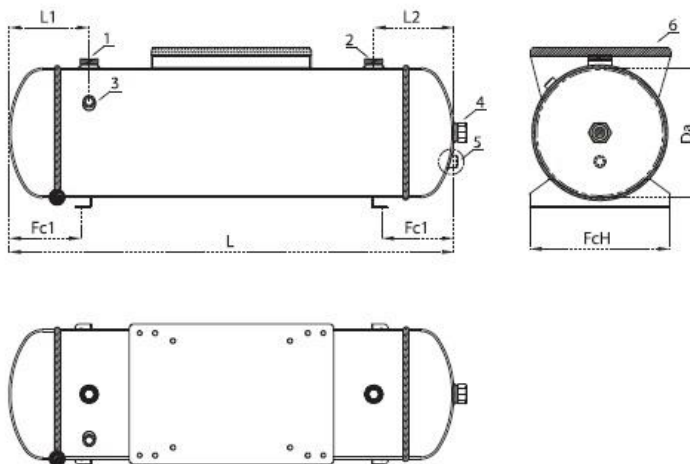
The following list includes standard products only. Upon special request, these standard products can be modified according to the Directive 97/23/EC.

- Sight glass may be reduced or increased according to the requirement.
- Sight glasses may be produced in various dimensions according to the requirement.
- Inlet & Outlet connections can be used in various dimensions and features according to the requirement.
- Liquid level sensor connections can be used according to the requirement. 1/2"NPT connection is used as standard. However, LLS-01 model that is supplied by us uses M20x1.5 coupling sleeves.

Please see the page 45 for further information about the product.

- Different coupling sleeves may be used according to the safety valve that you will use and its connection.
- Plates may be made in special dimensions upon request.

- Products in different volume and design may be produced upon request. Please contact us for further detail.



- 1 Outlet Connection
- 2 Inlet Connection
- 3 Safety Valve Connection
- 4 Sight Glass (optional)
- 5 Liquid Level Sensor Connection (optional)
- 6 Plate For Compressor

Model	Volume (Lt)	Diameter	Dimensions					Connections				Sight Glasses	CE			
			L (mm)	L1 (mm)	L2 (mm)	L3 (mm)	Fc1 (mm)	Fc (mm)	Sv (Inch)	Inlet (Inch)	Outlet (Inch)		PED 32 Bar	97/23/EC 45 Bar		
HLR-7D-F/F-30x1	30	∅ 219	900	120	120	120	120	240	1/2" NPTF	1 1/4"-12 UNF	1 1/4"-12 UNF	SW36	CAT II/A1	CAT II/A1		
HLR-7D-F/F-40x1	40		1050	140	140	140		(HFC-240)							1 3/4"-12 UNS	1 3/4"-12 UNS
HLR-8D-F/F-50x1	50		970	130	130	130										
HLR-8D-F/F-60x1	60	∅ 273	1160	150	150	150	150	300	1/2" NPTF	1 3/4"-12 UNS	1 3/4"-12 UNS	1 3/4" Rotolock Sight Glass	CAT III B+C1	CAT III B+C1		
HLR-8D-F/F-70x1	70		1350	180	180	180		(HFC-300)								
HLR-9D-F/F-80x1	80		1110	200	200	200										
HLR-9D-F/F-90x1	90	∅ 324	1250	220	240	240	180	350	1/2" NPTF	2 1/4"-12 UN	1 3/4"-12 UNS	1 3/4" Rotolock Sight Glass	CAT III B+C1	CAT IV B+D		
HLR-9D-F/F-100x1	100		1400													