

LIQUID RECEIVER WITH SUCTION LINE ACCUMULATORS

Technical Data



The following list includes standard products only.

Upon special request, these standard products can be modified according to the Directive 97/23/EC.

- Sight glass may be reduced or increased according to the requirement.
- Sight glasses may be produced in various dimensions according to the requirement.
- Inlet & Outlet connections can be used in various dimensions and features according to the requirement.

- Liquid level sensor connections can be used according to the requirement.

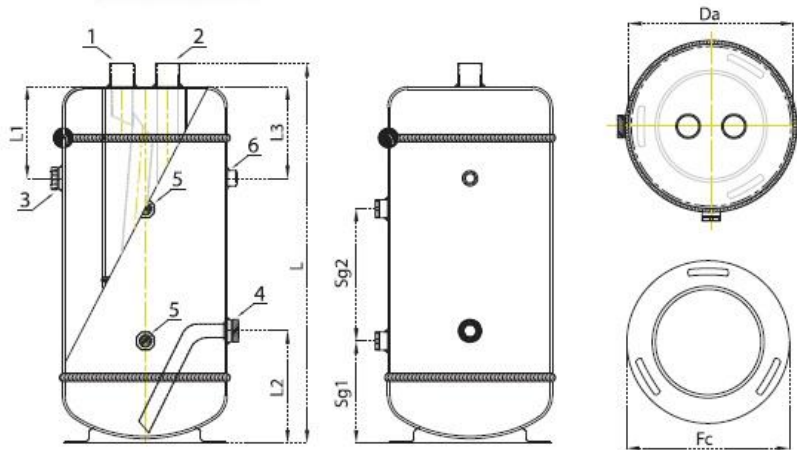
1/2" NPT connection is used as standard. However, LLS-01 model that is supplied by us uses M20x1.5 coupling sleeves.

Please see the page 45 for further information about the product.

- Different coupling sleeves may be used according to the safety valve that you will use and its connection.

- Products in different volume and design may be produced upon request.

Please contact us for further detail.



- ▶ 1 Outlet Connection -SLA
- ▶ 2 Inlet Connection -SLA
- ▶ 3 Inlet Connection -VLR
- ▶ 4 Outlet Connection -VLR
- ▶ 5 Sight Glass (optional)
- ▶ 6 Safety Valve Connection -VLR

Model	VLR Volume (Lt)	SLA Volume (Lt)	Diameter	Dimensions					Connections			Type	Sight Glasses		CE	
				L (mm)	L1 (mm)	L2 (mm)	L3 (mm)	Fc (mm)	Sv (Inch)	Inlet (Inch)	Outlet (Inch)		S1 (mm)	S2 (mm)	PED 32 Bar	97/23/EC 45 Bar
VLR-SLA-6/19x1	6	1,7	Ø219	282	80	120	-	Ø 249 (VFC-249)	1/2" NPTF	1"-14 UNS	1"-14 UNS	SW36 Screw Sight Glass	120	-	CAT I / A1	CAT II A1
VLR-SLA-8/22x1	8	3,8		420	80	150	80						140	-		
VLR-SLA-10/22x1	10			480	80	160	80						140	160		
VLR-SLA-12/22x1	12			540	100	160	100						140	180		
VLR-SLA-16/28x2	16	5,1	Ø273	1050	100	100	Ø 249 (VFC-249)	1 1/4"-12 UNF	1 1/4"-12 UNF	140	280	CAT II A1	CAT II A1			
VLR-SLA-20/28x1	20			500	160	-										
VLR-SLA-30/35x2	30	8,1	Ø324	810	140	180	140	Ø 320 (VFC-320)	1 3/4"-12 UNS	1 3/4"-12 UNS	160	260	CAT III B+C1	CAT III B+C1		
VLR-SLA-40/42x2	40			745	180	220	180				200	260				
VLR-SLA-50/54x2	50	13,5		1000							200	350				