

HORIZONTAL & VERTICAL LIQUID RECEIVERS

Technical Data



The following list includes standard products only.
Upon special request, these standard products can be modified according to the Directive 97/23/EC.

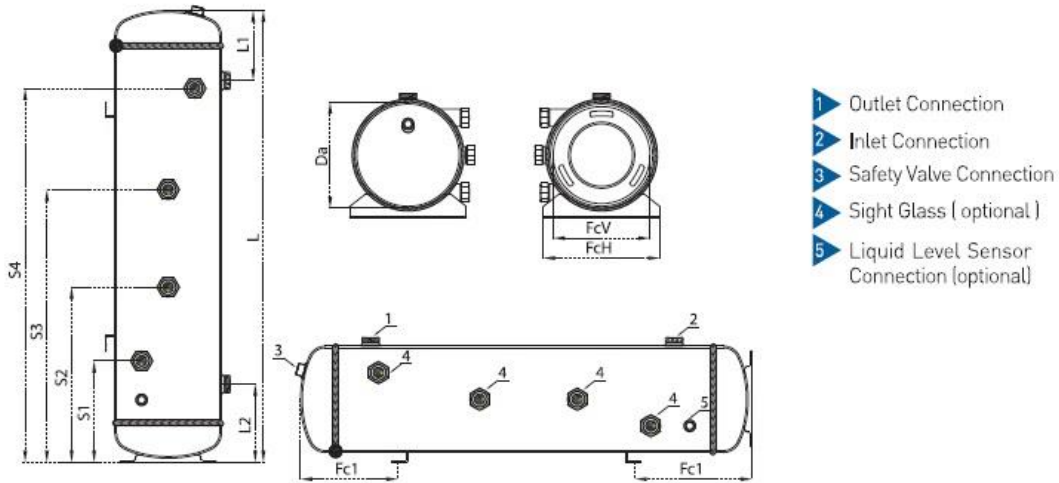
- Sight glass may be reduced or increased according to the requirement.
- Sight glasses may be produced in various dimensions according to the requirement.
- Inlet & Outlet connections can be used in various dimensions and features according to the requirement.
- Liquid level sensor connections can be used according to the requirement.

1/2" NPT connection is used as standard. However, LLS-01 model that is supplied by us uses M20x1,5 coupling sleeves.

Please see the page 45 for further information about the product.

- Different coupling sleeves may be used according to the safety valve that you will use and its connection.

- Products in different volume and design may be produced upon request. Please contact us for further detail.



- 1 Outlet Connection
- 2 Inlet Connection
- 3 Safety Valve Connection
- 4 Sight Glass (optional)
- 5 Liquid Level Sensor Connection (optional)

Model	Volume (Lt)	Diameter	Dimensions					Connections			Type	Sight Glass				CE		
			L (mm)	L1 (mm)	L2 (mm)	FcV (mm)	FcH (mm)	Fc1 (mm)	Sv (Inch)	Inlet (Inch)		Outlet (Inch)	S1 (mm)	S2 (mm)	S3 (mm)	S4 (mm)	PED 32 Bar	97/23/EC 45 Bar
HVLR-7D-F/F-20x2	20	∅219	620	150	150	∅182	240	170-230	1/2"	1 1/4"	1 1/4"	SW56	210	450	-	-	CAT I A1	CAT II / A1 B+C1
HVLR-7D-F/F-30x2	30	900	780			∅182 (VFC-182)	240 (HFC-240)	250	1/2" NPTF	1 1/4"-12 UNF	1 1/4"-12 UNF		230	730	-	-		
HVLR-8D-F/F-40x2	40	780						200-250		1 1/4"-12			230	580	-	-		
HVLR-8D-F/F-50x2	50	∅273	960	180	200	∅249	300	200-250	1/2"	1 3/4"	1 3/4"	Rotolock Sight Glass	260	770	-	-	CAT III B+C1	CAT III B+C1
HVLR-8D-F/F-60x3	60	1160				∅249 (VFC-249)	300 (HFC-300)	300	1/2" NPTF	1 3/4"-12 UNS	1 3/4"-12 UNS		260	560	960	-		
HVLR-8D-F/F-70x3	70	1350											300	660	1150	-		
HVLR-9D-F/F-80x3	80	1110								1 3/4"-12		260	540	860	-			
HVLR-9D-F/F-90x3	90	∅324	1250	220	240	∅320	350	300	1/2"	2 1/4"	1 3/4"	1 3/4" Rotolock Sight Glass	260	580	1000	-	CAT IV B+D	
HVLR-9D-F/F-100x3	100	1400				∅320 (VFC-320)	350 (HFC-350)	300	1/2" NPTF	2 1/4"-12 UN	1 3/4"-12 UNS		260	660	1150	-		
HVLR-9D-F/F-125x3	125	1730								2 1/4"-12			260	760	1480	-		
HVLR-10D-F/F-150x3	150	∅406	1330	250	330	∅430	450	350	1/2"	2 1/4"	2 1/4"	1 3/4" Rotolock Sight Glass	320	630	1070	-	CAT IV B+D	
HVLR-10D-F/F-225x4	225	2000				∅430 (VFC-430)	450 (HFC-450)	350	1/2" NPTF	2 1/4"-12 UN	2 1/4"-12 UN		320	630	1070	1740		