

VERTICAL LIQUID RECEIVERS

Technical Data



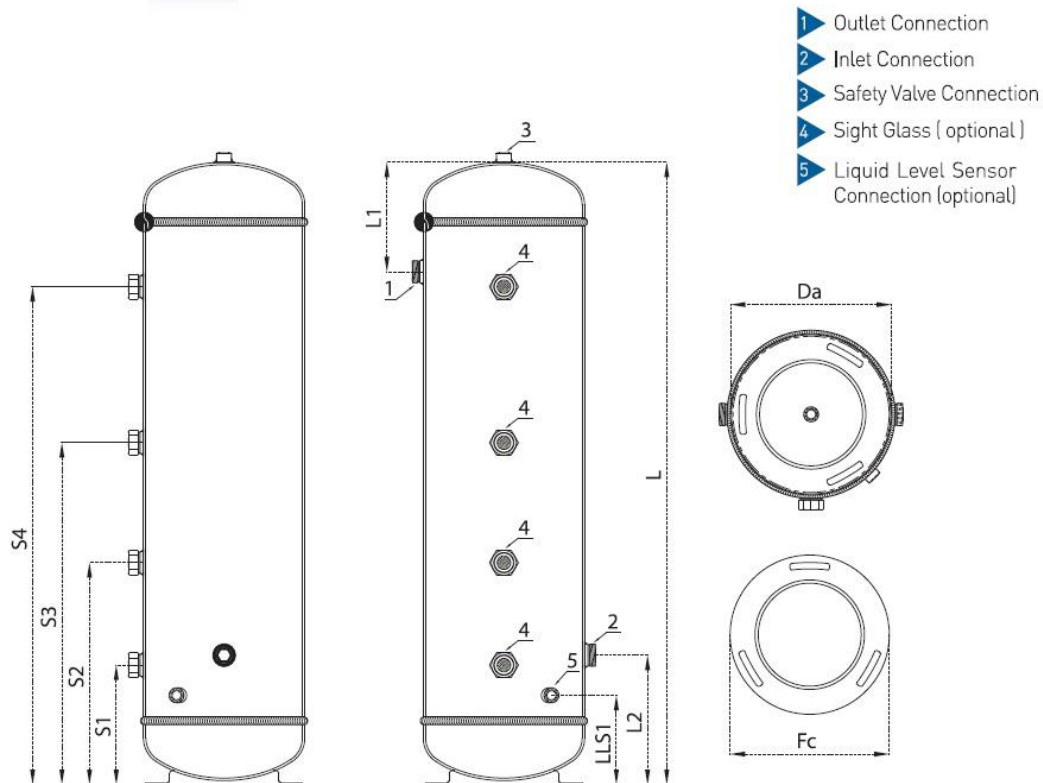
Code Numbers; HLR-9A-F/F-90x3

- **HLR-9A-F/F-90x3** - Horizontal Liquid Receivers,
- **HLR-9A-F/F-90x3** - Diameter of products
- **HLR-9A-F/F-90x3** - Design of products
- **HLR-9A-F/E-90x3** - Inlet and outlet Flare connection (if you need solder connections you should change the F/F to S/S)

Forexample if need inlet solder and outlet flare connection the code number must be VLR-9A-S/F-90x3

- **HLR-9A-F/F-90x3** - Volume of products
- **HLR-9A-F/F-90x3** - Quantity of Sight glasses

P.S: Please contact us for further information.



VERTICAL LIQUID RECEIVERS



The following list includes standard products only.

Upon special request, these standard products can be modified according to the Directive 97/23/EC.

- Sight glass may be reduced or increased according to the requirement.
- Sight glasses may be produced in various dimensions according to the requirement.
- Inlet & Outlet connections can be used in various dimensions and features according to the requirement.
- Liquid level sensor connections can be used according to the requirement. 1/2" NPT connection is used as standard.

However, LLS-01 model that is supplied by us uses M20x1.5 coupling sleeves.

Please see the page 45 for further information about the product.

- Different coupling sleeves may be used according to the safety valve that you will use and its connection.

- Products in different volume and design may be produced upon request.

Please contact us for further detail.

Model	Volume (Lt)	Diameter	Dimensions				Connections			Type	Sight Glasses				CE		
			L (mm)	L1 (mm)	L2 (mm)	Fc (mm)	Sv (Inch)	Inlet (Inch)	Outlet (Inch)		S1 (mm)	S2 (mm)	S3 (mm)	S4 (mm)	PED 32 Bar	97/23/EC 45 Bar	
VLR-5A-F/F-04x1	4	Ø140	310	85	140	Ø135 (VFC-135)	-	1"-14 UNS	1"-14 UNS	SW36 Screw Sight Glass	120	-	-	-	CAT I A1	CAT I/A1	
VLR-5A-F/F-05x1	5		380								120	-	-	-			
VLR-6A-F/F-06x1	6		340								130	-	-	-			
VLR-6A-F/F-07x1	7	380	130	-	-	-											
VLR-6A-F/F-08x1	8	Ø165	450	90	150	Ø161 (VFC-161)	1/2" NPTF	1"-14 UNS	1"-14 UNS		130	-	-	-	CAT I A1		CAT II A1
VLR-6A-F/F-09x1	9		500								130	-	-	-			
VLR-6A-F/F-10x1	10		540								130	-	-	-			
VLR-6A-F/F-12x2	12	650	130	-	-	-	130	530	-		-	-	CAT I A1	CAT II A1			
VLR-7A-F/F-14x1	14	430	210	-	-	-	210	-	-		-	-					
VLR-7A-F/F-16x1	16	490	210	-	-	-	210	-	-		-	-					
VLR-7A-F/F-18x1	18	550	210	-	-	-	210	-	-		-	-	CAT I A1	CAT II A1			
VLR-7A-F/F-20x2	20	Ø219	620	150	200	Ø182 (VFC-182)	1/2" NPTF	1 1/4"-12 UNF	1 1/4"-12 UNF		210	450			-		-
VLR-7A-F/F-25x2	25		760							210	590	-			-		
VLR-7A-F/F-30x2	30		900							210	780	-	-				
VLR-7A-F/F-35x3	35	1050	230	530	880	-	-	-	-	-	-	B + C1	CAT III B + C1				
VLR-8A-F/F-30x1	30	580	230	-	-	-	1"-14 12 UNF	1 1/4"-12 UNF	230	-	-	-		CAT II/A1			
VLR-8A-F/F-35x2	35	680	230	480	-	-	230	580	-	-	-	-					
VLR-8A-F/F-40x2	40	780	260	580	-	-	260	670	-	-	-	-	CAT III B + C1				
VLR-8A-F/F-45x2	45	Ø273	870	180	250	Ø249 (VFC-249)	1/2" NPTF	1 3/4"-12 UNS	1 3/4"-12 UNS	260	770	-		-			
VLR-8A-F/F-50x2	50		970							260	770	-		-			
VLR-8A-F/F-60x3	60		1160							260	770	960	-	-			
VLR-8A-F/F-70x3	70	1350	260	660	1150	-	-	260	660	1150	-	-	CAT III B + C1				
VLR-8A-F/F-80x3	80	1540	260	760	1340	-	-	260	760	1340	-	-	CAT III B + C1				
VLR-9A-F/F-45x1	45	630	240	220	-	-	220	-	-	-	-	-	CAT III B + C1				
VLR-9A-F/F-50x2	50	700	260	470	-	-	220	470	-	-	-	-					
VLR-9A-F/F-60x2	60	840	260	660	-	-	240	660	-	-	-	-					
VLR-9A-F/F-70x2	70	Ø324	960	220	260	Ø320 (VFC-320)	1/2" NPTF	1 3/4"-12 UNS	1 3/4"-12 UNS	240	710	-	-	CAT III B + C1			
VLR-9A-F/F-80x3	80		1110							240	540	860	-		-		
VLR-9A-F/F-90x3	90		1250							240	560	1000	-		-		
VLR-9A-F/F-100x3	100	1400	240	640	1150	-	-	240	640	1150	-	-					
VLR-10A-F/F-100x3	100	900	280	640	-	-	280	640	-	-	-	-	CAT III B + C1				
VLR-10A-F/F-125x3	125	Ø406	1110	250	330	Ø430 (VFC-430)	1/2" NPTF	2 1/4"-12 UN	2 1/4"-12 UN	280	530	850		-			
VLR-10A-F/F-150x3	150		1330	280	630	1070	-	-									
VLR-11A-F/F-175x3	175		1270	300	600	950	-	-									
VLR-11A-F/F-200x3	200	Ø450	1450	280	330	Ø480 (VFC-480)	1/2" NPTF	2 1/4"-12 UN	2 1/4"-12 UN	300	650	1130	-	CAT III B + C1			
VLR-11A-F/F-225x3	225		1620	300	750	1300	-	-									
VLR-12A-F/F-250x3	250		1450	300	350	650	1150	-	-								
VLR-12A-F/F-300x3	300	Ø508	1750	300	380	Ø550 (VFC-550)	1/2" NPTF	2 1/4"-12 UN	2 1/4"-12 UN	350	750	1450	-				
VLR-12A-F/F-350x3	350		2000	350	650	1150	1700	-	-								
VLR-12A-F/F-400x3	400		2300	350	750	1350	2000	-	-								
VLR-13A-F/F-450x4	450	1800	400	700	1000	1400	-	-	400	700	1000	1400	CAT IV B + D				
VLR-13A-F/F-500x4	500	Ø600	2000	350	450	Ø650 (VFC-650)	1/2" NPTF	ODS 76	ODS 76	400	700	1100		1600			
VLR-13A-F/F-550x4	550		2200	400	750	1200	1800	-	-								